

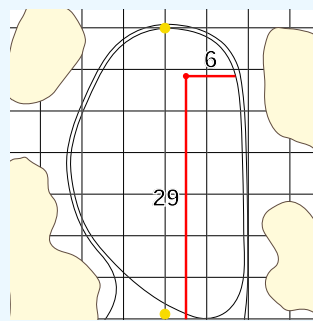


# CHAMPIONSHIP

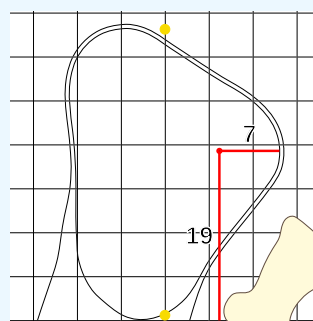
**DANGEROUS SITUATION** (Suspension Signal)  
 One Prolonged Horn Blast  
**NON-DANGEROUS SITUATION** (Suspension Signal)  
 Several Short Intermittent Horn Blasts  
**RESUMPTION Signal**  
 Two Prolonged Horn Blasts

## FM Championship OFFICIAL APPROVED HOLE LOCATION SHEET 2024

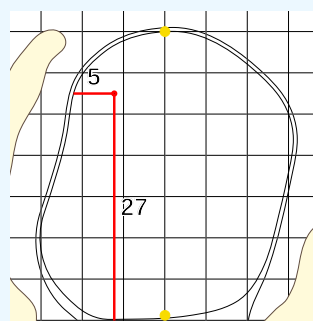
TPC Boston  
 Friday August 30, 2024  
 Round 2



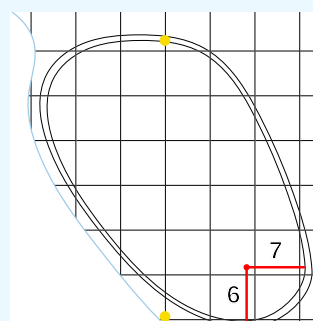
Hole 13  
 Depth 35



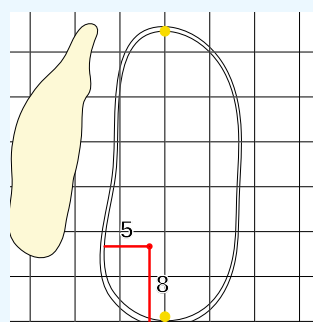
Hole 14  
 Depth 33



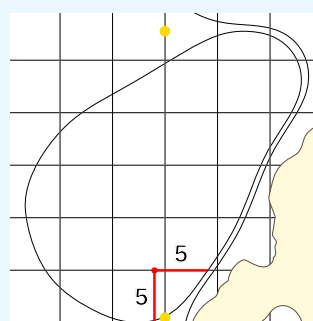
Hole 15  
 Depth 35



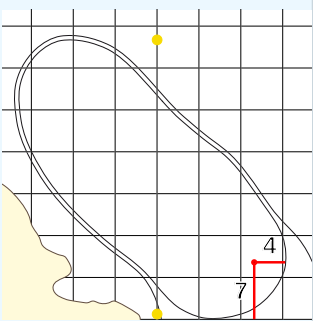
Hole 16  
 Depth 31



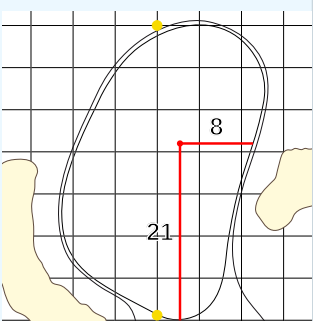
Hole 17  
 Depth 32



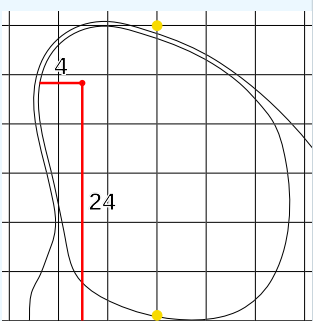
Hole 18  
 Depth 27



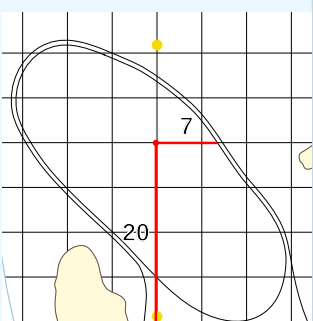
Hole 7  
 Depth 33



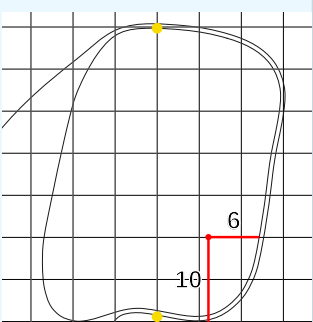
Hole 8  
 Depth 35



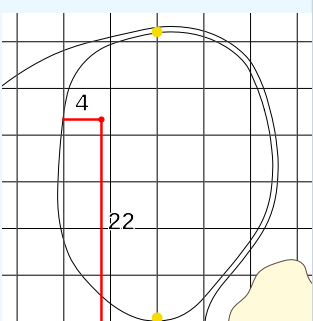
Hole 9  
 Depth 30



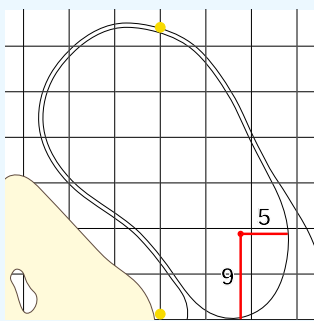
Hole 10  
 Depth 31



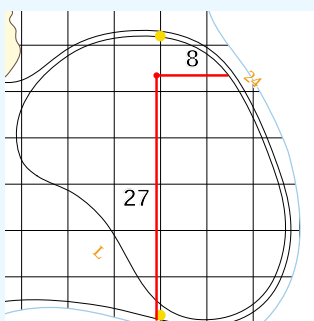
Hole 11  
 Depth 35



Hole 12  
 Depth 31

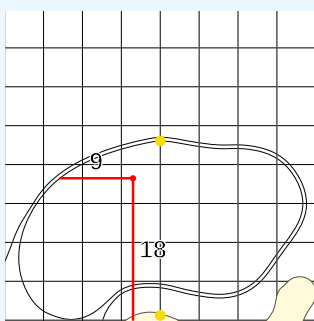


Hole 1  
 Depth 32

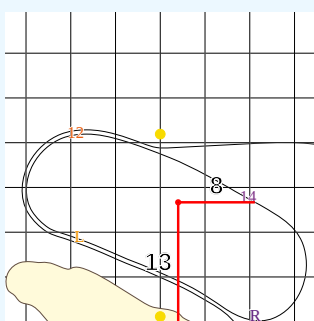


Hole 2  
 Depth 31

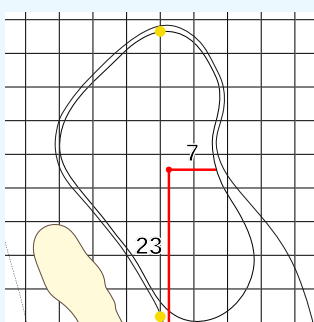
Note  
 LD - 19 L6



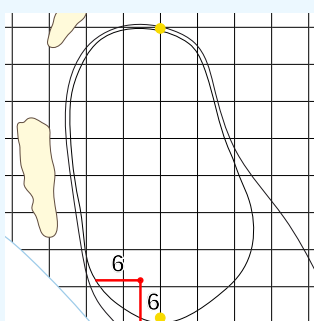
Hole 3  
 Depth 23



Hole 4  
 Depth 21



Hole 5  
 Depth 43



Hole 6  
 Depth 40