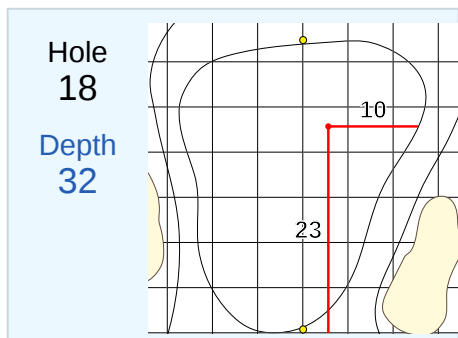
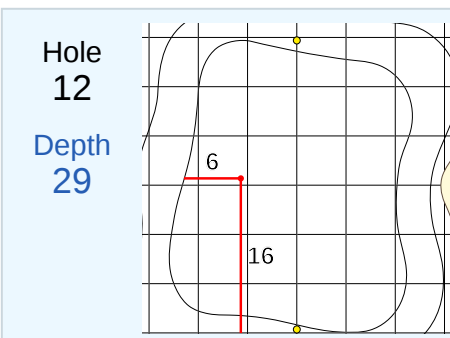
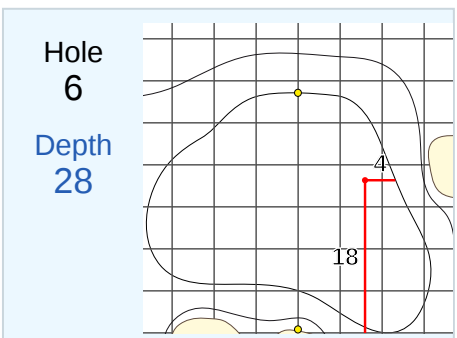
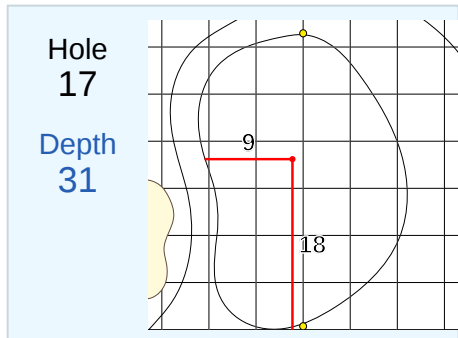
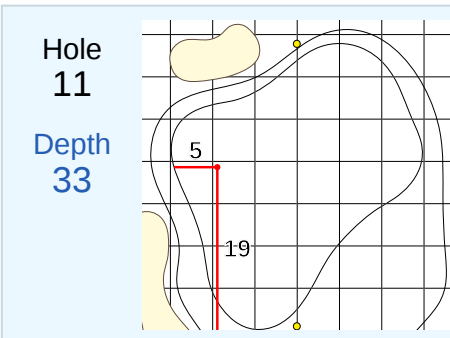
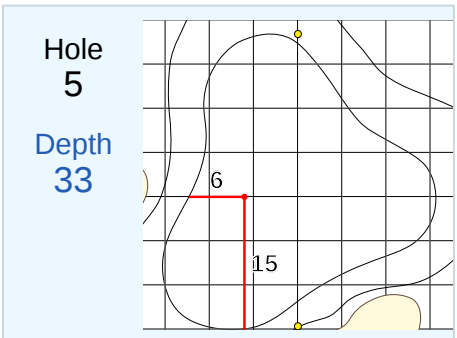
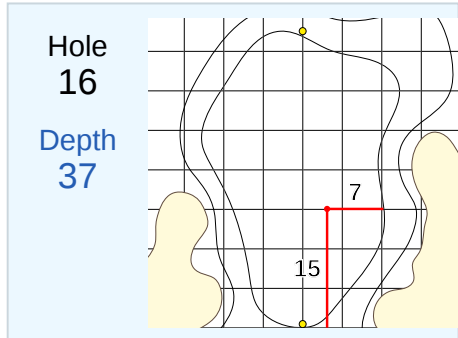
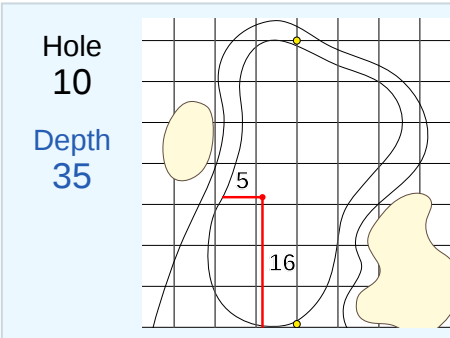
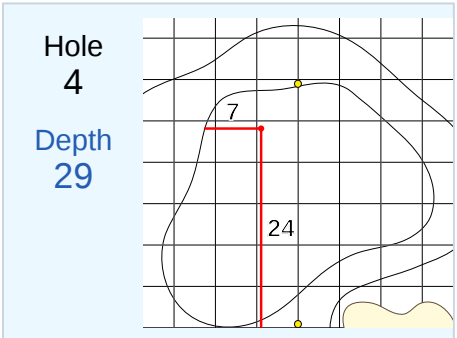
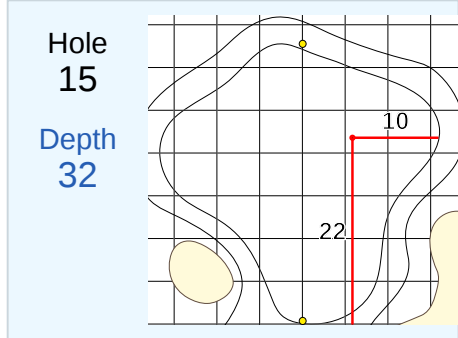
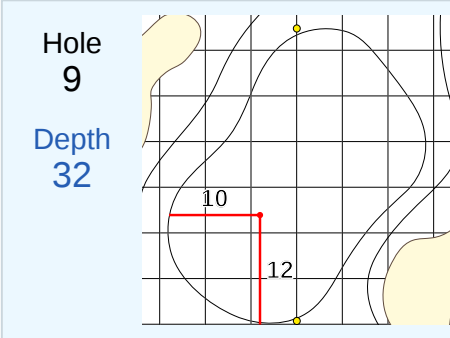
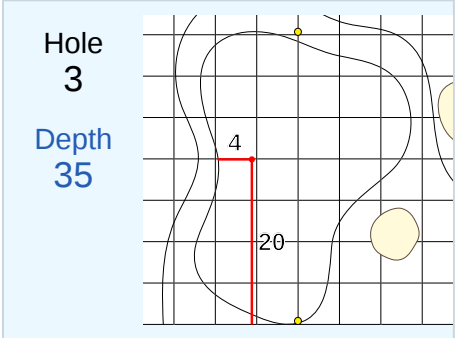
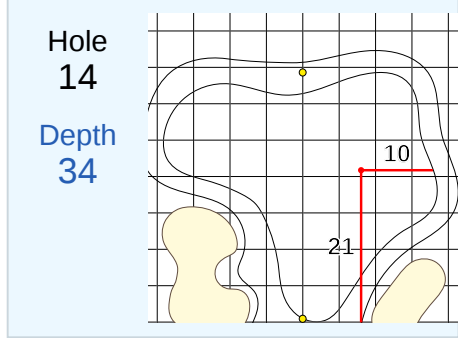
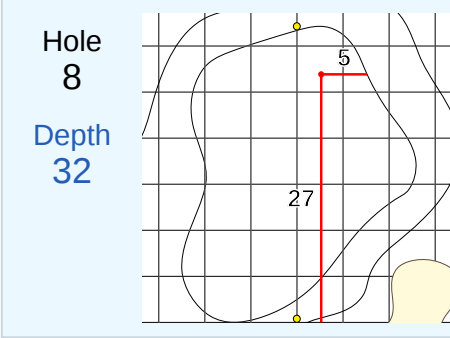
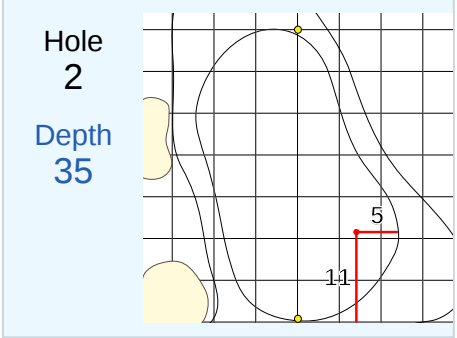
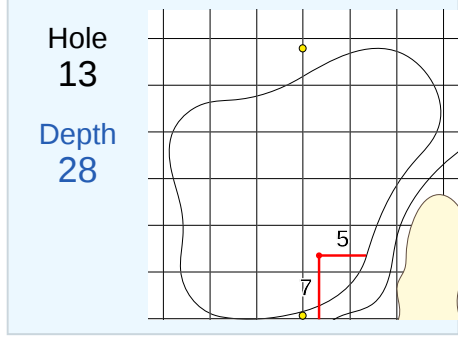
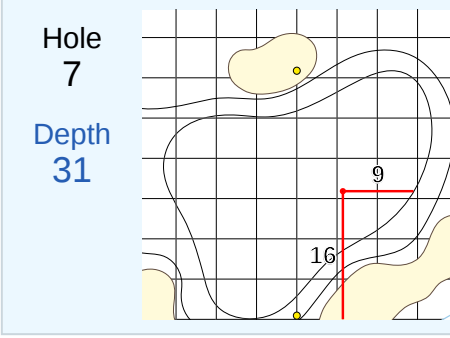
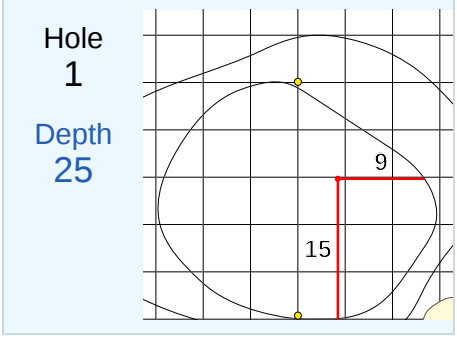


**DANGEROUS SITUATION** (Suspension Signal)  
One Prolonged Horn Blast  
**NON-DANGEROUS SITUATION** (Suspension Signal)  
Several Short Intermittent Horn Blasts  
**RESUMPTION SIGNAL**  
Two Prolonged Horn Blasts

**Founders Cup presented by U.S. Virgin Islands**  
**OFFICIAL APPROVED HOLE LOCATION SHEET 2025**

Bradenton Country Club  
Thursday February 06, 2025  
Round One



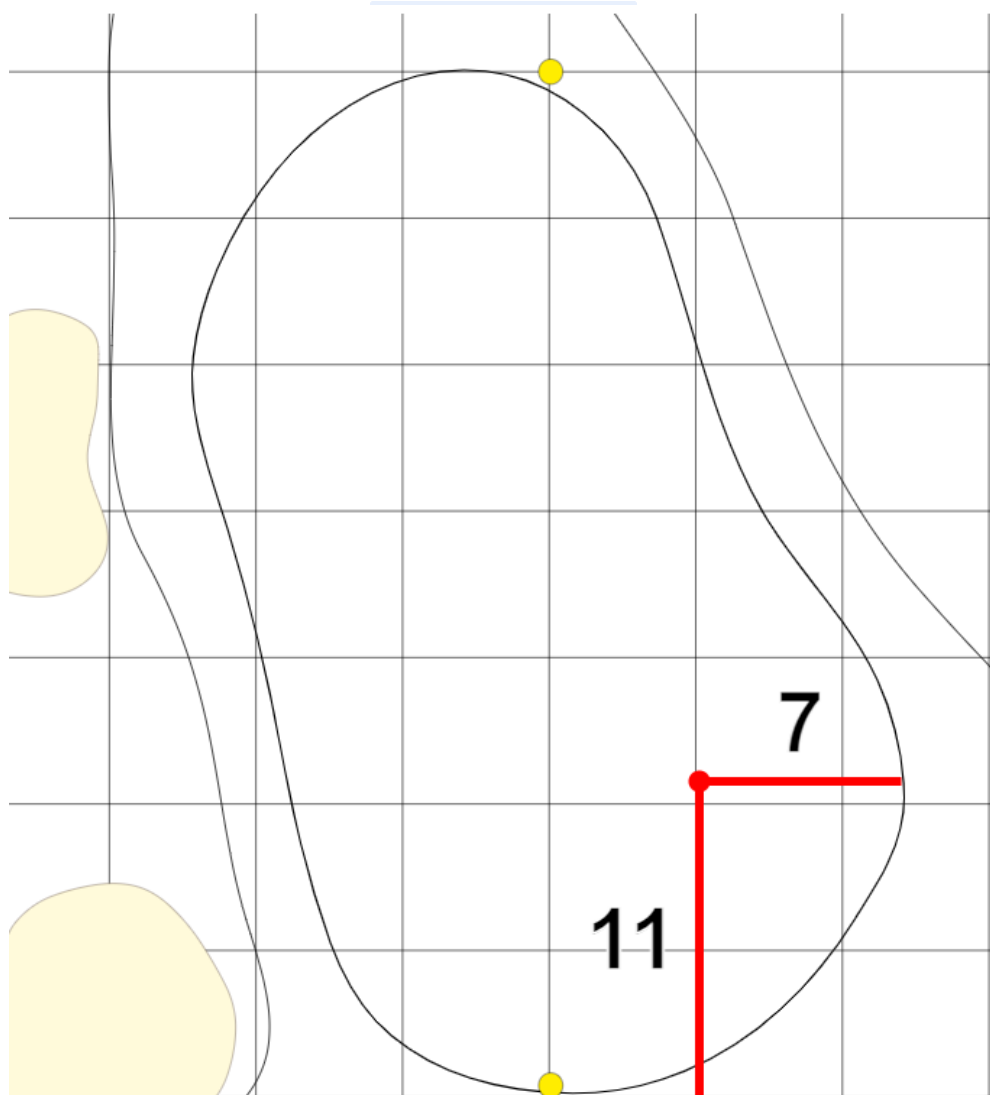


# Hole Location Change

Founders Cup presented by U.S. Virgin Islands  
Bradenton Country Club

## Round 1

## Hole 2 should be



**LPGA Rules**