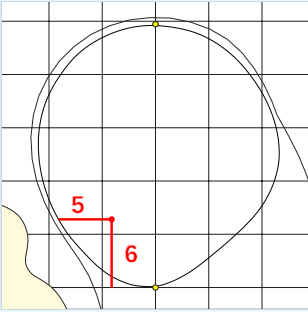


DANGEROUS SITUATION (Suspension Signal)
 One Prolonged Horn Blast
NON-DANGEROUS SITUATION (Suspension Signal)
 Several Short Intermittent Horn Blasts
RESUMPTION Signal
 Two Short Horn Blasts

Dow Championship
 Friday June 12, 2026
 Round Two - Four-Ball

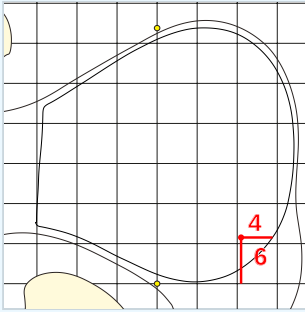
Hole 1

Depth 25



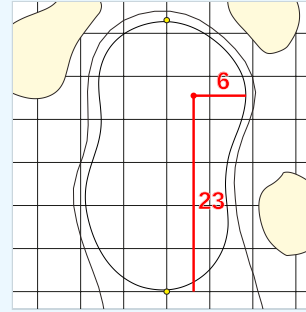
Hole 7

Depth 32



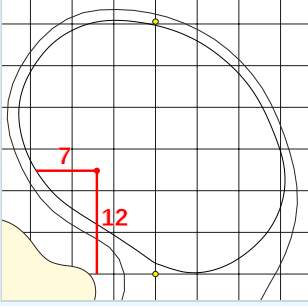
Hole 13

Depth 32



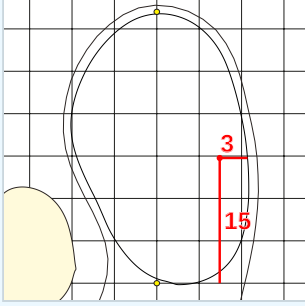
Hole 2

Depth 30



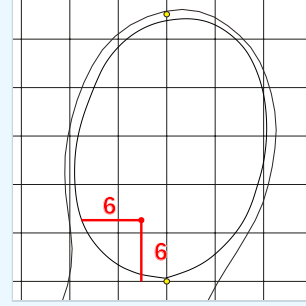
Hole 8

Depth 32



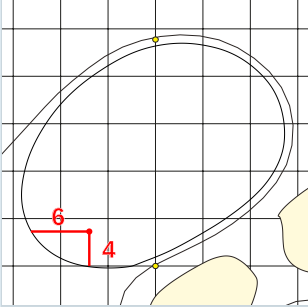
Hole 14

Depth 28



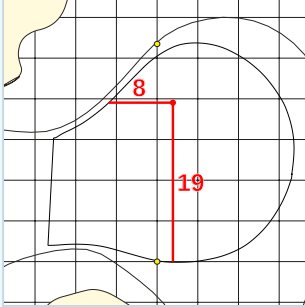
Hole 3

Depth 24



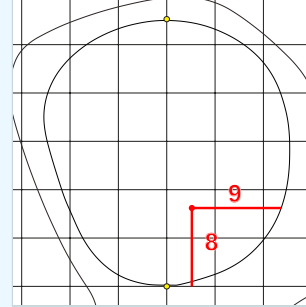
Hole 9

Depth 27



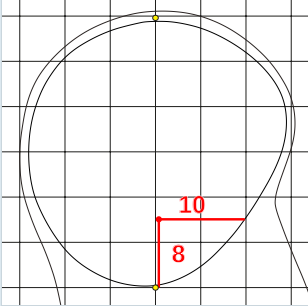
Hole 15

Depth 28



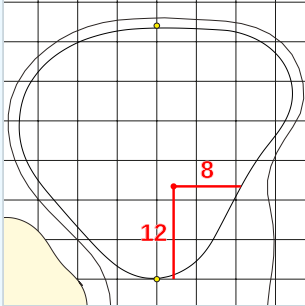
Hole 4

Depth 30



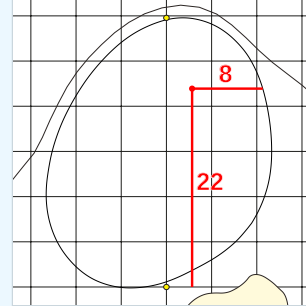
Hole 10

Depth 32



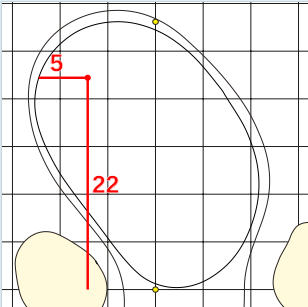
Hole 16

Depth 30



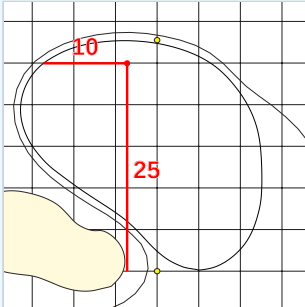
Hole 5

Depth 28



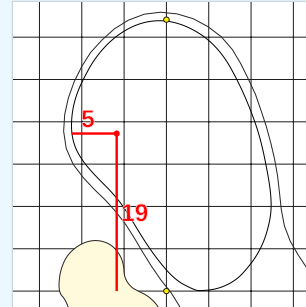
Hole 11

Depth 28



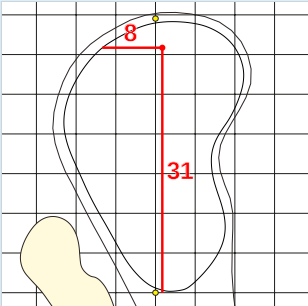
Hole 17

Depth 32



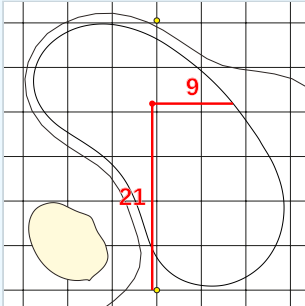
Hole 6

Depth 35



Hole 12

Depth 30



Hole 18

Depth 33

