

DANGEROUS SITUATION (Suspension Signal)
One Prolonged Horn Blast
NON-DANGEROUS SITUATION (Suspension Signal)
Several Short Intermittent Horn Blasts
RESUMPTION Signal
Two Prolonged Horn Blasts

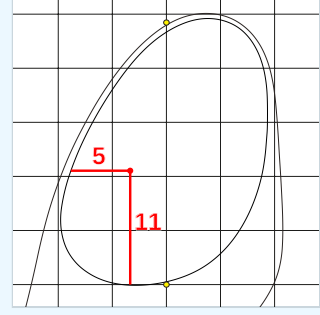
Riviera Maya Open at Mayakoba

Friday May 01, 2026

Round Two

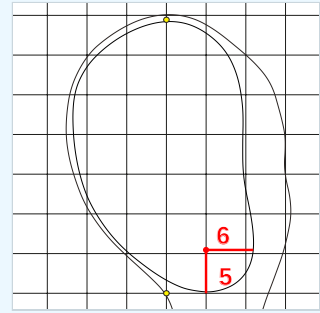
Hole 13

Depth 24



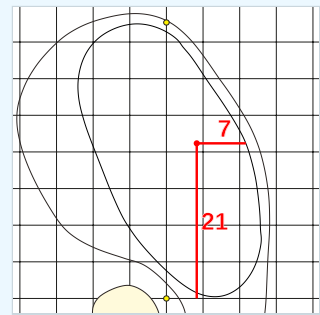
Hole 14

Depth 34



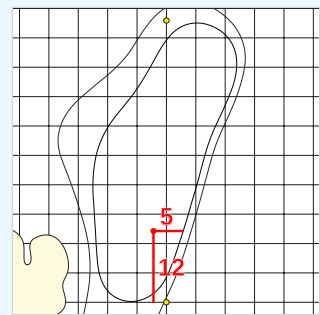
Hole 15

Depth 38



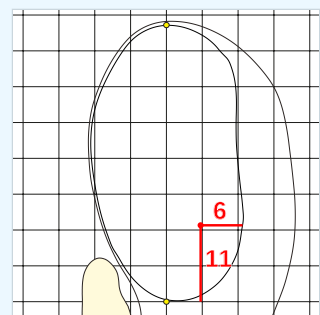
Hole 16

Depth 48



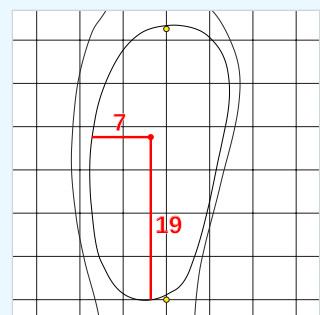
Hole 17

Depth 39



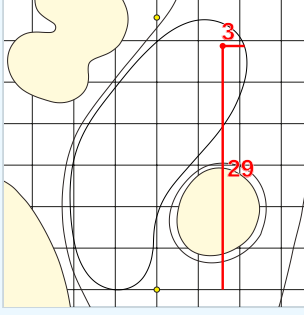
Hole 18

Depth 31



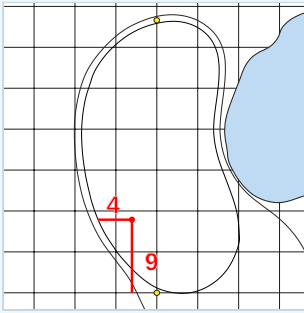
Hole 7

Depth 33



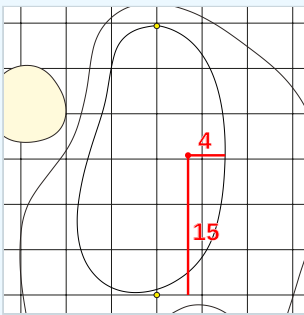
Hole 8

Depth 33



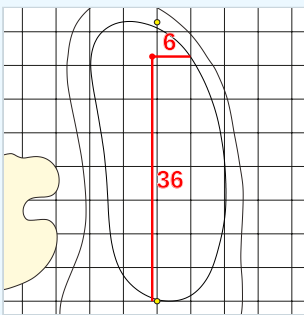
Hole 9

Depth 30



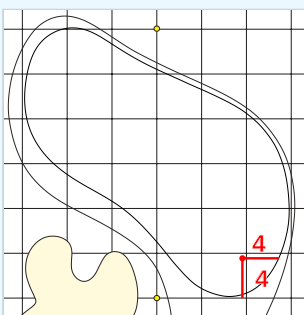
Hole 10

Depth 41



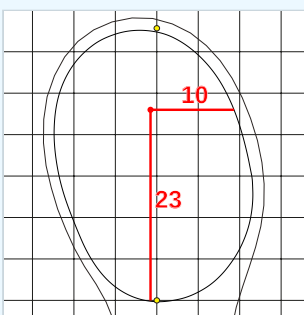
Hole 11

Depth 30



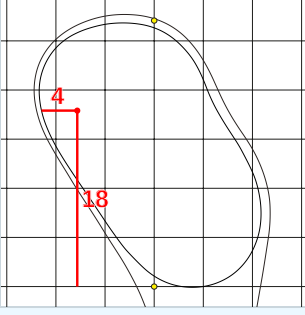
Hole 12

Depth 33



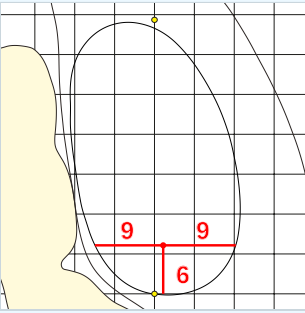
Hole 1

Depth 27



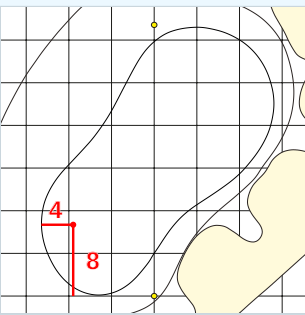
Hole 2

Depth 34



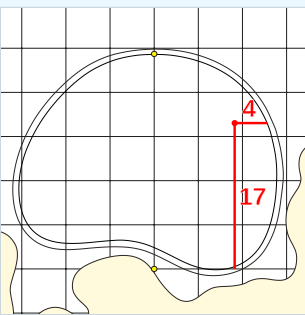
Hole 3

Depth 32



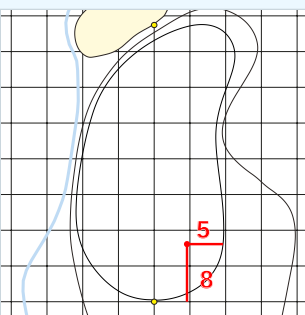
Hole 4

Depth 24



Hole 5

Depth 39



Hole 6

Depth 39

